

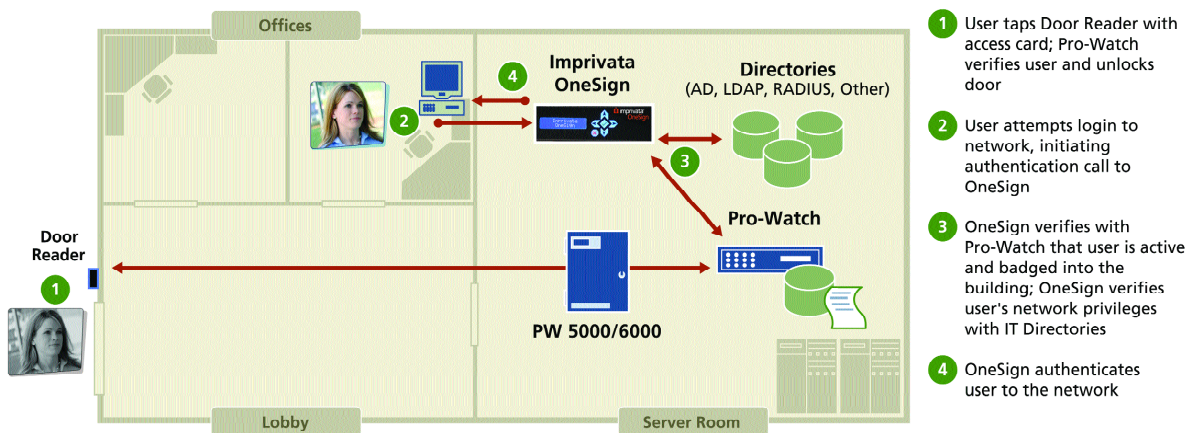
SmartPlus™ Imprivata® Connector

Global Identity-based Interface



The SmartPlus™ Imprivata® connector integrates Imprivata's OneSign® solution to the Pro-Watch® platform through a global identity-based interface. Now users can leverage the powerful badging, access, video, intrusion and visitor management capabilities of Pro-Watch to implement an all-inclusive physical/logical security policy with Imprivata's OneSign solution. Utilize Pro-Watch's existing panels and readers to non-intrusively

strengthen the overall corporate IT security posture by allowing users or groups of users to access logical resources based on their identity and clearance codes and the organization's physical security policy. Maintain enhanced auditing records that combine physical and logical events into a single authentication record.



- 1 User taps Door Reader with access card; Pro-Watch verifies user and unlocks door
- 2 User attempts login to network, initiating authentication call to OneSign
- 3 OneSign verifies with Pro-Watch that user is active and badged into the building; OneSign verifies user's network privileges with IT Directories
- 4 OneSign authenticates user to the network

FEATURES

- Easy to install. The SmartPlus Imprivata connector features an automated click-and-go installation program.¹
- Identity-based authentication enables authentication and tracking of users with multiple cards and card technologies.
- IT compliant. Secure Web services-based connector. Designed for suitability in the most demanding IT environments.
- Panel independent.² Leverage your existing physical infrastructure.
- Designed for speed. Event-driven Web service interfaces enable lightning-fast responses with the most up-to-date physical security information.
- Non-intrusive. The SmartPlus Imprivata connector is transparent to Pro-Watch users and badgeholders.
- Compliant with SmartPlus platforms.

¹ Manual installation available to address the needs of high-level IT users.

² Consult with your Honeywell representative for supported panel technologies.

SmartPlus™ Imprivata® Connector

SPECIFICATIONS

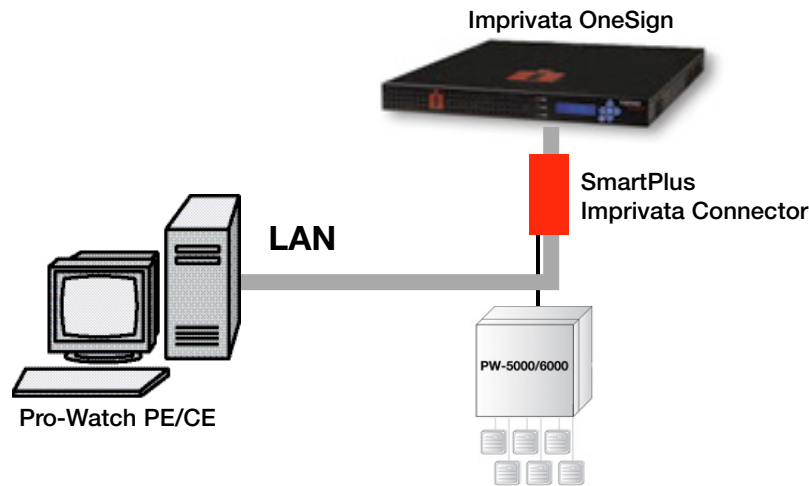
- Configurable for 250 to 1,000 user configurations per connector.³
- Imprivata release⁴: Pro-Watch version 3.7.0.7481 or later and Imprivata 3.6SP1 or later.
- Automatic and manual installation.
- Compatible with Pro-Watch Release 3.7 PE and CE. Xeon 2.6 with 1 GB RAM or better.
- Supports Windows Server 2003 and Windows XP Professional Edition.

BENEFITS

The SmartPlus Imprivata connector is ideally suited to address the needs of Pro-Watch users requiring an all-inclusive solution that combines the benefits of physical and logical identity-based authentication. When combined with the SmartPlus family of

convergent solutions, the SmartPlus Imprivata connector allows corporate security groups to create comprehensive solutions that address the most demanding corporate security needs.

CONFIGURATION



ORDERING

PWPESW7

Pro-Watch 3.7 PE Server Software

PWCESW7

Pro-Watch 3.7 CE Server Software

For additional pricing, refer to SmartPlus Imprivata Connector Price List

³ Call for other configurations.

⁴ OneSign solution sold separately.

For more information:

www.honeywellintegrated.com

Honeywell Security

Honeywell Integrated Security
2700 Blankenbaker Pkwy, Suite 150
Louisville, KY 40299
800-323-4576

www.honeywell.com

Honeywell